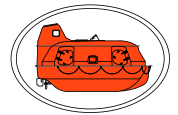




# ENHANCED SAFETY KIT FOR OFFSHORE CAPSULES

SURVIVAL  
SYSTEMS  
INTERNATIONAL



ADDED FEATURES - DESIGNED FOR YOUR CAPSULE - OEM CERTIFIED COMPONENTS - INSTALLED ONSITE - ADDED SAFETY

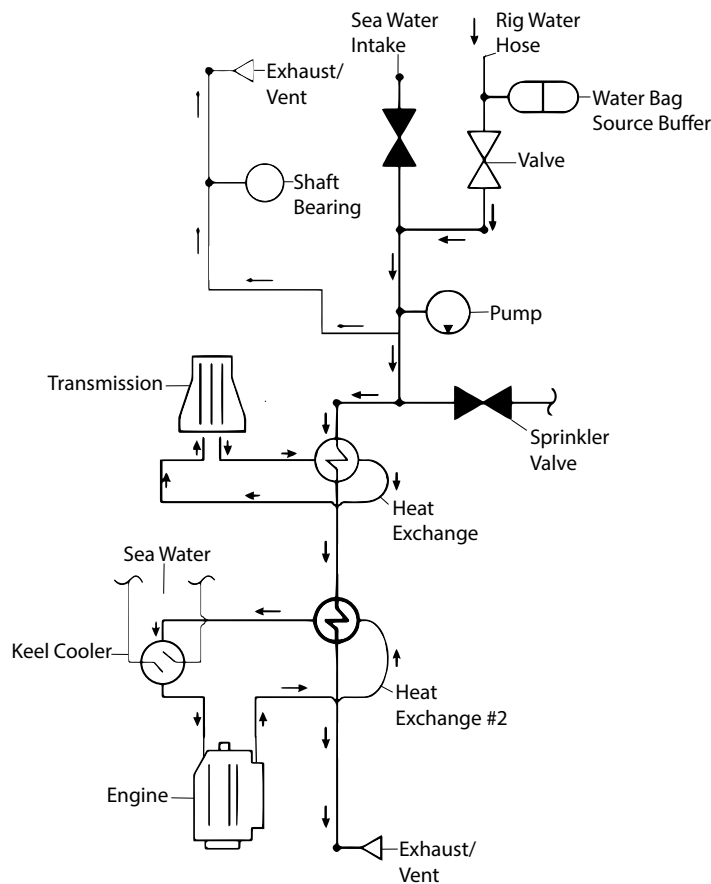
## ENGINE RUN KIT

**MODELS:** Currently available for all SSI Capsules models

**SAFETY  
BENEFITS:**

Optional kit for customers that desire to run the engine and test their SSI Capsule without lowering to the water. Standard configuration, which requires sea water to cool the engine, restricts the capsule to only 5 minutes of run time out of the water. With the addition of this Engine Run kit, the capsule can be started and operated in the stowed position, out of the water, for an extended amount of time - up to 2 hours.

With the engine run kit and the additional function to run the engine without lowering to the water, you gain the ability to perform safety and maintenance inspections that may otherwise be delayed.



**Components Include:**

- Additional heat exchanger for engine cooling
- Large capacity water bag to buffer platform
- Permanently installed plumbing components that allow the SSI capsule and engine system to accept the cooling water
- Additional hosing, valves, vents and other system connections



**WHAT  
ARE  
ESK's?**

ESK's are SSI's engineered packages of additional components (or modified components) to "add-on" to your existing SSI offshore capsule. The goal of these kits is to offer additional functionality, ease of operation and ultimately added safety to your Survival Systems International Capsule. Since SSI is the OEM of your lifeboat (capsule), as well as the designer and manufacturer of these Enhanced Safety Kits, the installation process is seamless and cost effective.



[www.survivalsystemsinternational.com/saudi-arabia](http://www.survivalsystemsinternational.com/saudi-arabia)



+966 138330919



[info@i-energy.com](mailto:info@i-energy.com)

Survival Systems International is proud to be "Your Partner in Safety".