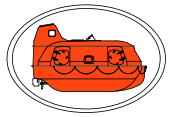




# ENHANCED SAFETY KIT FOR OFFSHORE CAPSULES

SURVIVAL  
SYSTEMS  
INTERNATIONAL



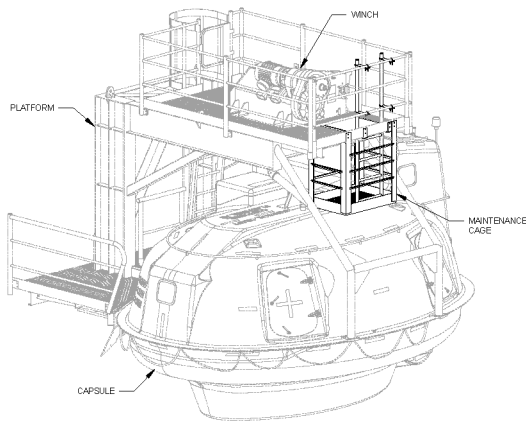
ADDED FEATURES - DESIGNED FOR YOUR CAPSULE - OEM CERTIFIED COMPONENTS - INSTALLED ONSITE - ADDED SAFETY

## MAINTENANCE HANGER ACCESS CAGE KITS

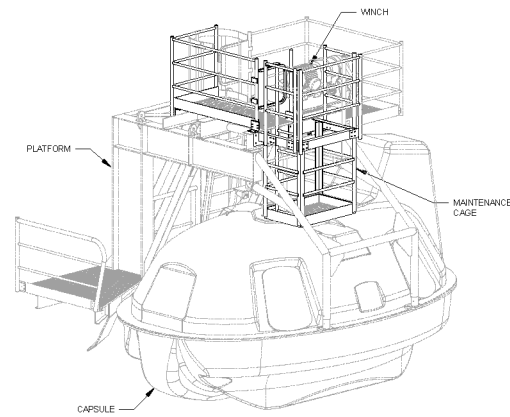
**MODELS:** Currently available and customized for all SSI Capsules

**SAFETY BENEFITS:**

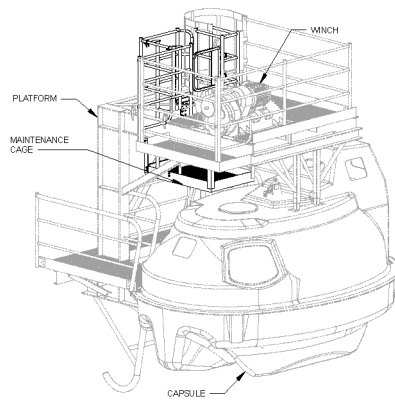
This Survival Systems International option kit is designed to facilitate the installation of a maintenance hanger sling without the need to enter the survival capsule. The offshore worker enters the maintenance cage assembly and then gains safe access to reach the capsule hook and maintenance sling components.



PL5002 PLATFORM



PL3401 PLATFORM



PL2100 PLATFORM

**INSTALL:**

Bolt-On Installation, can be performed offshore with limited work stoppage. Grating, safety railing, access hatch and other components are included based on kit model. The Information on customization of type and thickness of grating can be found for all our hold and launch platforms.

**WHAT ARE ESK's?**

ESK's are SSI's engineered packages of additional components (or modified components) to "add-on" to your existing SSI offshore capsule, winch and/or platform. The goal of these kits is to offer additional functionality, ease of operation and ultimately added safety to your Survival Systems International equipment. Since SSI is the OEM of your equipment, as well as the designer and manufacturer of these Enhanced Safety Kits, the installation process is seamless and cost effective.



[www.survivalsystemsinternational.com](http://www.survivalsystemsinternational.com)



760.749.6800



[safetykits@ssivc.com](mailto:safetykits@ssivc.com)

Survival Systems International is proud to be "Your Partner in Safety".